



# FD690 PLUS *LONG-AND REGIONAL-HAUL* Drive Radial



## LONG LASTING & DURABLE

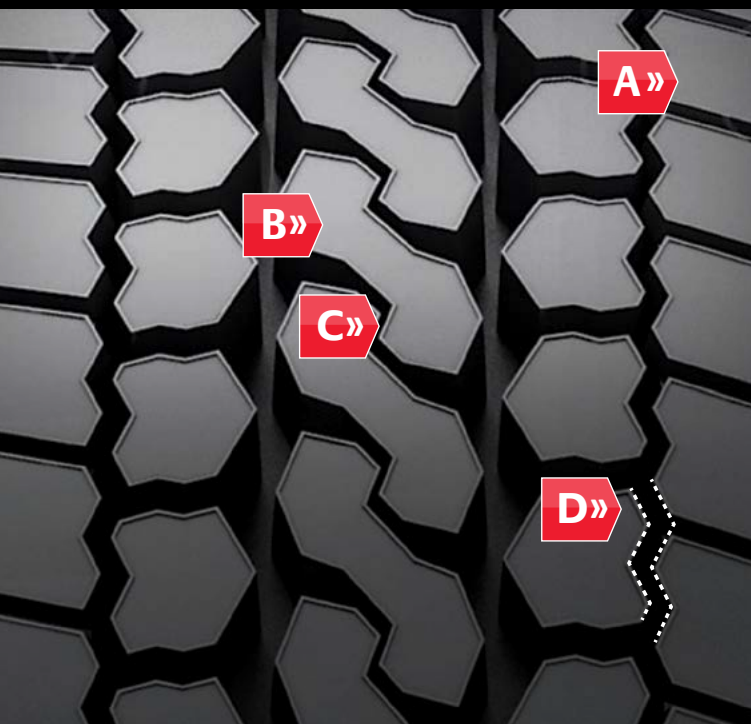
Recommended for use in single- and tandem-drive axle applications, the Firestone FD690 PLUS offers a 29/32nds tread depth for long original tread life. Multiple angled edges in each tread

element, along with aggressive center lugs, bite through water to promote wet traction.

Combine these features with outstanding casing durability and excellent retreadability, and the American-made FD690 PLUS goes the distance in over-the-road and regional-haul applications.

# Firestone

## FD690 PLUS FEATURES & BENEFITS



**A»**

**A**

### SOLID SHOULDER RIB

.....  
distributes weight and torque evenly to fight irregular wear

**B»**

**B**

### AGGRESSIVE CENTER LUGS

.....  
help to improve traction in wet or dry conditions for the life of the tread

**C»**

**C**

### TIE BARS

.....  
control movement of center tread blocks to help minimize irregular wear, leading to longer original tread life

**D»**

**D**

### MULTIPLE GRIPPING EDGES

.....  
provide biting edges that help promote wet traction



### 29/32NDS TREAD DEPTH

for long original tread life and improved traction

### WIDE CENTER GROOVES

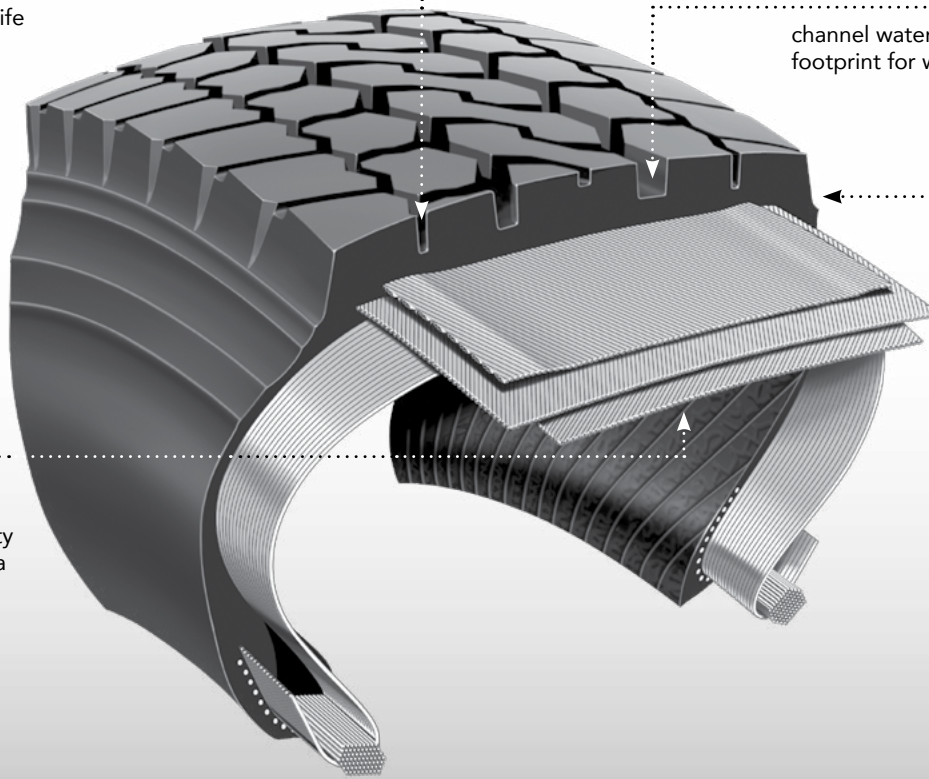
channel water out of the footprint for wet traction

### CAP/BASE COMPOUNDING

combines a slow-wearing cap compound with a cool-running base that shields the casing from damaging heat to enhance retreadability

### OPTIMIZED THREE-BELT CONSTRUCTION

optimized belt package achieves the casing durability and retreadability of a four belt design with a three-belt construction



FD690 PLUS TIRE SIZE	Load Range	Article Number	Weight [lbs/kg]	Meas. Rim [in]	Overall Diameter [in/mm]	Overall Width [in/mm]	Static Loaded Radius [in/mm]	Overall Width Loaded [in/mm]	Revs [per mile/km]	Tread Depth [32"/mm]	Max Load Capacity		Inflation Pressure [PSI/kPa]	Max Speed [mph/kph]
											Single [lbs/kg]	Dual [lbs/kg]		
11R22.5 metric	G	006504	122 55	8.25	42.1 1069	10.8 274	19.6 498	11.8 300	493 306	29 23	6175 2800	5840 2650	105 720	75 120
11R24.5 metric	G	006506	137 62	8.25	44 1118	10.7 272	20.5 521	11.8 300	472 293	29 23	6610 3000	6005 2725	105 720	75 120
225/70R19.5 metric	F	186675	70 32	6.00	32.3 820	8.5 216	15 381	9.4 239	643 400	19 15	3640 1650	3415 1550	95 660	75 120
225/70R19.5 metric	G	227074	70 32	6.00	32.3 820	8.5 216	15 381	9.4 239	643 400	19 15	3970 1800	3750 1700	110 760	75 120
245/70R19.5 metric	G	006510	71 32	6.75	33.5 851	9.1 231	15.5 394	10 254	620 385	20 16	4545 2060	4375 1985	110 760	75 120
295/75R22.5 metric	G	006514	122 55	8.25	41 1041	11.1 282	19.1 485	12.2 310	507 315	29 23	6175 2800	5675 2575	110 760	75 120
285/75R24.5 metric	G	006516	128 58	8.25	42.2 1072	10.9 277	19.8 503	11.9 302	492 306	29 23	6175 2800	5675 2575	110 760	75 120

Warranty and additional technical information is available at [FirestoneTruckTires.com](http://FirestoneTruckTires.com), or from your dealer or truck stop.

Driven by innovation for more than 100 years, Firestone has a tire that's right for you and your business. See why we like to say that those with passion, those with ambition and those with drive ... Drive a Firestone.

TO LEARN MORE, VISIT [FIRESTONETRUCKTIRES.COM](http://FIRESTONETRUCKTIRES.COM)