



FS561 *ON-HIGHWAY ALL-POSITION*

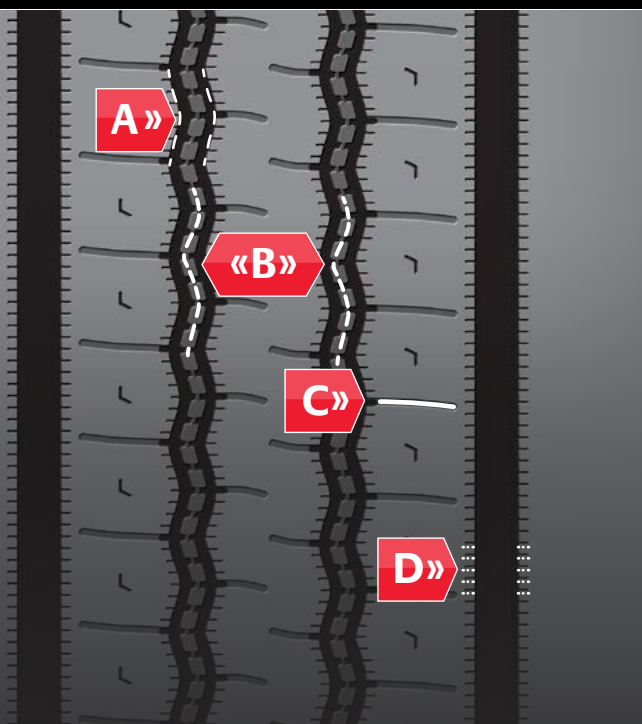


ALWAYS UP TO THE TASK, LIKE YOU
Both regional and pickup and delivery truck drivers know the importance of having tough tires built for high-scrub service. The all-position Firestone FS561 is designed for steer applications that navigate these demanding conditions. Features such as a special tread compound and solid shoulder ribs enhance casing protection, extending overall tire life, giving the FS561 staying power in environments where stone drilling and rib tearing are regular occurrences.

DRIVE A FIRESTONE

Firestone

FS561 INNOVATIONS



- A** **SPECIALIZED GROOVE SHAPE**
.....
Designed to better resist rib tearing.
- B** **STONE REJECTORS IN CENTER GROOVES**
.....
Help provide resistance to stone drilling and protect belts for enhanced casing durability.
- C** **RIB SIPES**
.....
Cut through water for solid wet traction.
- D** **STRESS RELIEF SIPES**
.....
Fight irregular wear by absorbing rib edge stresses in the footprint for long, even wear.



TREAD CAP COMPOUND AND SOLID SHOULDER RIBS

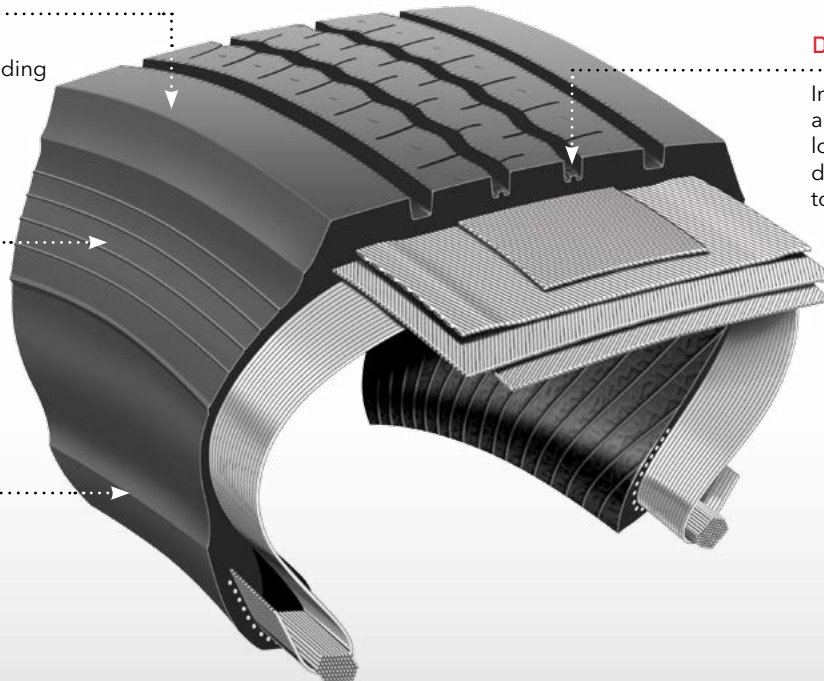
Enhance resistance to maneuvering scrub, leading to increased tread life.

SIDEWALL PROTECTOR RIBS

Help protect the casing from cuts, snags and abrasions due to curbing and impacts.

INNOVATIVE SIDEWALL DESIGN

Reduces overall weight to improve fuel efficiency without sacrificing durability.



DEEP, WIDE TREAD

Increases original tread life and the wide footprint spreads load over a larger area, distributing footprint pressure to promote long, even wear.

Tire Sizes	Load Range	Material #	Weight (Lbs/kg)	Meas. Rim (in.)	Overall Diameter (in./mm)	Overall Width (in./mm)	Overall Width Loaded (in./mm)	Static Loaded Radius (in./mm)	Revolutions per Mile/km	Tread Depth (32' /mm)	MAX TIRE LOAD		Max Speed (mph/kph)
											Single Lbs@PSI/kg@kPa	Dual Lbs@PSI/kg@kPa	
225/70R19.5 metric	F	248409	64 29	6.00	32.2 819	8.7 220	9.5 242	15.0 381	644 400	16 13	3640@95 1650@660	3415@95 1550@660	75 120
225/70R19.5 metric	G	248426	64 29	6.00	32.2 819	8.7 220	9.5 242	15.0 381	644 400	16 13	3970@110 1800@760	3750@110 1700@760	75 120
9R22.5 metric	F	248562	90 41	6.75	38.4 975	9.0 229	9.9 251	18.0 457	541 336	19 15	4540@105 2060@720	4300@105 1950@720	75 120
10R22.5 metric	F	248579	109 49	7.50	40.2 1021	9.9 251	10.9 277	18.8 478	517 321	20 16	5205@100 2360@690	4940@100 2240@690	75 120
10R22.5 metric	G	248596	109 49	7.50	40.2 1021	9.9 251	10.9 277	18.8 478	517 321	20 16	5675@115 2575@790	5355@115 2430@790	75 120
11R22.5 metric	G	248307	114 52	8.25	41.5 1054	10.9 277	12.0 305	19.3 490	501 311	21 17	6175@105 2800@720	5840@105 2650@720	75 120
11R22.5 metric	H	248324	114 52	8.25	41.5 1054	10.9 277	12.0 305	19.3 490	501 311	21 17	6610@120 3000@830	6005@120 2725@830	75 120
12R22.5 metric	H	248494	139 63	9.00	42.7 1085	11.6 295	12.8 325	19.8 503	487 303	21 17	7390@120 3350@830	6780@120 3075@830	75 120
255/70R22.5 metric	H	248528	93 42	8.25	36.8 935	10.4 264	11.4 290	17.3 439	565 351	21 17	5510@120 2510@830	5070@120 2300@830	75 120
275/70R22.5 metric	J	248545	99 45	8.25	38.1 968	11.5 292	12.7 323	17.9 455	545 339	21 17	6940@130 3150@900	6395@130 2900@900	75 120
295/75R22.5 metric	G	248273	111 50	8.25	40.4 1026	10.9 277	12.0 305	18.9 480	514 319	21 17	6175@110 2800@760	5675@110 2575@760	75 120
11R24.5 metric	G	248358	120 54	8.25	43.6 1107	10.9 277	12.0 305	20.4 518	477 296	21 17	6610@105 3000@720	6005@105 2725@720	75 120
11R24.5 metric	H	248375	120 54	8.25	43.6 1107	10.9 277	12.0 305	20.4 518	477 296	21 17	7160@120 3250@830	6610@120 3000@830	75 120
285/75R24.5 metric	G	248290	121 55	8.25	41.5 1054	10.9 277	12.0 305	19.5 495	501 311	21 17	6175@110 2800@760	5675@110 2575@760	75 120

Warranty and limitation information is available at FirestoneTruckTires.com or from your dealer or truck stop.

Driven by innovation for more than 100 years, Firestone has a tire that's right for you and your business. See why we like to say that those with passion, those with ambition and those with drive... Drive a Firestone.