



FS591 *LONG- AND REGIONAL-HAUL* Steer Radial



FUEL EFFICIENT & LONG LASTING*

Using the latest technological advancements to achieve increased removal mileage and EPA SmartWay® verified and CARB-compliant fuel efficiency, the Firestone FS591 helps deliver the performance demanded by fleets. This on-highway all-position radial tire, designed for the steer position, features an innovative sidewall design that reduces overall weight without sacrificing durability.

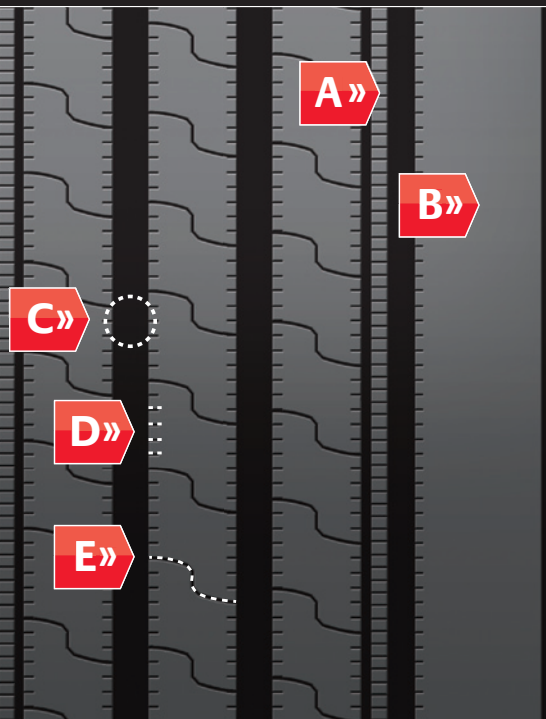
DRIVE A FIRESTONE



EPA SmartWay verified and CARB-compliant.

Firestone

FS591 INNOVATIONS



- A** **ULTI-RIB™ DESIGN**
Combats the initiation and spread of irregular wear.
- B** **CONTINUOUS SHOULDER**
Offers long, even wear and reduced rolling resistance.
- C** **FLOW-THROUGH DESIGN**
Allows for water evacuation to enhance road grip.
- D** **STRESS RELIEF SIPES**
Fight irregular wear on main ribs by absorbing rib edge stresses in the footprint.
- E** **THIRSTY CROSS-RIB SIPES**
Improve traction by slicing through water for a solid grip on wet roads.



DEFENSE SIDE GROOVE™

Combats the initiation and spread of irregular wear.

NANOPRO-TECH™ COMPOUND

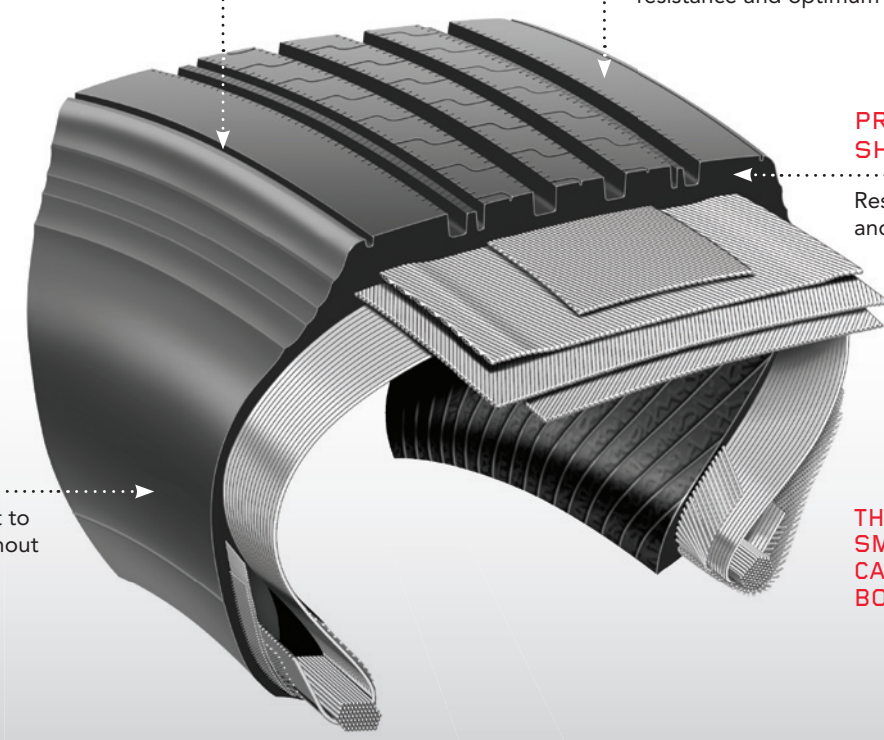
Patented NanoPro-Tech polymer technology limits energy loss for improved rolling resistance and optimum fuel efficiency.

PROPRIETARY SHOULDER DESIGN

Results in greater removal mileage and irregular wear resistance.

INNOVATIVE SIDEWALL DESIGN

Reduces overall tire weight to improve fuel efficiency without sacrificing durability.



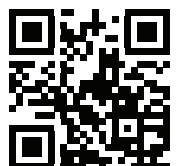
THE FS591 IS EPA SMARTWAY® VERIFIED AND CALIFORNIA AIR RESOURCES BOARD (CARB) COMPLIANT.

FS591 Tire Sizes	Load Range	Article Number	Weight (Lbs/kg)*	Meas. Rim (in.)	Overall Diameter (in./mm)	Overall Width (in./mm)	Overall Width Loaded (in./mm)	Static Loaded Radius (in./mm)	Revolutions per Mile/km	Tread Depth (32"/mm)	MAX TIRE LOAD		Max Speed (mph/kph)
											Single Lbs@PSI/kg@kPa	Dual Lbs@PSI/kg@kPa	
295/75R22.5 metric	G	233-738	114 52	8.25	40.2 1021.1	11.4 289.6	12.5 317.5	18.8 477.5	516 321	18 14	6175@110 2800@760	5675@110 2575@760	75 120
295/75R22.5 metric	H	233-755	115 52	8.25	40.2 1021.1	11.4 289.6	12.5 317.5	18.8 477.5	516 321	18 14	7160@120 3250@830	6610@120 3000@830	75 120
285/75R24.5 metric	G	238-498	120 54	8.25	41.3 1049.0	11.4 289.6	12.2 309.9	19.4 492.8	502 312	18 14	6175@110 2800@760	5675@110 2575@760	75 120
11R22.5 metric	G	238-532	118 54	8.25	41.1 1043.9	11.5 292.1	12.3 312.4	19.2 487.7	504 313	18 14	6175@105 2800@720	5840@105 2650@720	75 120
11R22.5 metric	H	238-549	119 54	8.25	41.1 1043.9	11.5 292.1	12.3 312.4	19.2 487.7	504 313	18 14	6610@120 3000@830	6005@120 2725@830	75 120
11R24.5 metric	G	238-566	126 57	8.25	43.1 1094.7	11.5 292.1	12.3 312.4	20.2 513.1	480 298	18 14	6610@105 3000@720	6005@105 2725@720	75 120
11R24.5 metric	H	238-583	127 58	8.25	43.1 1094.7	11.5 292.1	12.3 312.4	20.2 513.1	480 298	18 14	7160@120 3250@830	6610@120 3000@830	75 120

*Estimated, subject to change.

Warranty and additional technical information is available at FirestoneTruckTires.com, or from your dealer or truck stop.

Driven by innovation for more than 100 years, Firestone has a tire that's right for you and your business. See why we like to say that those with passion, those with ambition and those with drive ... Drive a Firestone.



*Based on rolling resistance and field mileage tests, Firestone tires that bear the eco-Products symbol are our most fuel-efficient and lowest total cost of ownership tire solution when compared to other Firestone tires. Actual results may vary.

