



FS591 *LONG- AND REGIONAL-HAUL* Steer Radial



FUEL EFFICIENT & LONG LASTING*

Using the latest technological advancements to achieve increased removal mileage and EPA SmartWay® verified and CARB-compliant fuel efficiency, the Firestone FS591 helps deliver the performance demanded by fleets. This on-highway all-position radial tire, designed for the steer position, features an innovative sidewall design that reduces overall weight without sacrificing durability.

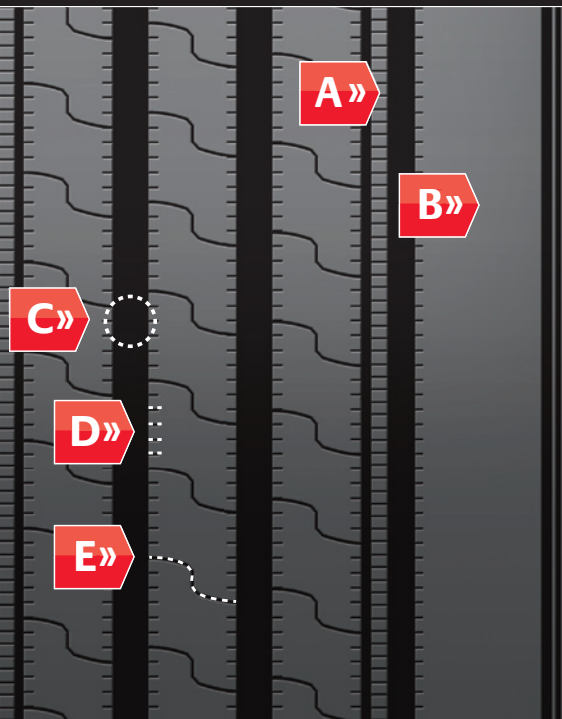
DRIVE A FIRESTONE



EPA SmartWay verified and CARB-compliant.

Firestone

FS591 INNOVATIONS



A ULTI-RIB™ DESIGN

Combats the initiation and spread of irregular wear.

B CONTINUOUS SHOULDER

Offers long, even wear and reduced rolling resistance.

C FLOW-THROUGH DESIGN

Allows for water evacuation to enhance road grip.

D STRESS RELIEF SIPES

Fight irregular wear on main ribs by absorbing rib edge stresses in the footprint.

E THIRSTY CROSS-RIB SIPES

Improve traction by slicing through water for a solid grip on wet roads.



DEFENSE SIDE GROOVE™

Combats the initiation and spread of irregular wear.

NANOPRO-TECH™ COMPOUND

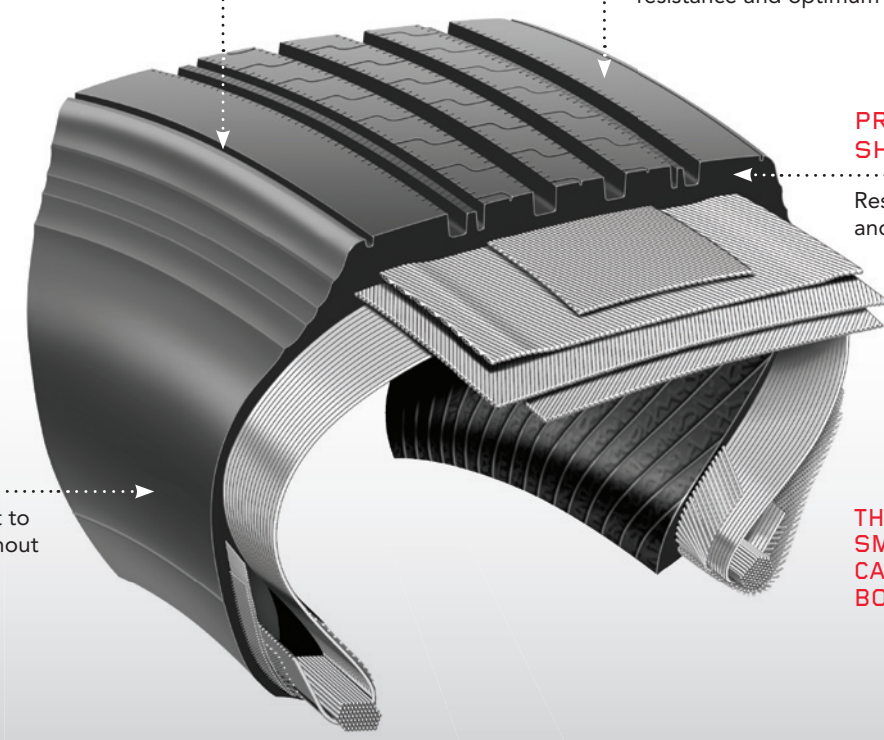
Patented NanoPro-Tech polymer technology limits energy loss for improved rolling resistance and optimum fuel efficiency.

PROPRIETARY SHOULDER DESIGN

Results in greater removal mileage and irregular wear resistance.

INNOVATIVE SIDEWALL DESIGN

Reduces overall tire weight to improve fuel efficiency without sacrificing durability.



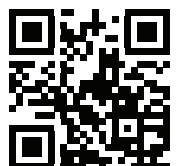
THE FS591 IS EPA SMARTWAY® VERIFIED AND CALIFORNIA AIR RESOURCES BOARD (CARB) COMPLIANT.

FS591 Tire Sizes	Load Range	Article Number	Weight (Lbs/kg)*	Meas. Rim (in.)	Overall Diameter (in./mm)	Overall Width (in./mm)	Overall Width Loaded (in./mm)	Static Loaded Radius (in./mm)	Revolutions per Mile/km	Tread Depth (32"/mm)	MAX TIRE LOAD		Max Speed (mph/kph)
											Single Lbs@PSI/kg@kPa	Dual Lbs@PSI/kg@kPa	
295/75R22.5 metric	G	233-738	114 / 52	8.25	40.2 / 1021.1	11.4 / 289.6	12.5 / 317.5	18.8 / 477.5	516 / 321	18 / 14	6175@110 / 2800@760	5675@110 / 2575@760	75 / 120
295/75R22.5 metric	H	233-755	115 / 52	8.25	40.2 / 1021.1	11.4 / 289.6	12.5 / 317.5	18.8 / 477.5	516 / 321	18 / 14	7160@120 / 3250@830	6610@120 / 3000@830	75 / 120
285/75R24.5 metric	G	238-498	120 / 54	8.25	41.3 / 1049.0	11.4 / 289.6	12.2 / 309.9	19.4 / 492.8	502 / 312	18 / 14	6175@110 / 2800@760	5675@110 / 2575@760	75 / 120
11R22.5 metric	G	238-532	118 / 54	8.25	41.1 / 1043.9	11.5 / 292.1	12.3 / 312.4	19.2 / 487.7	504 / 313	18 / 14	6175@105 / 2800@720	5840@105 / 2650@720	75 / 120
11R22.5 metric	H	238-549	119 / 54	8.25	41.1 / 1043.9	11.5 / 292.1	12.3 / 312.4	19.2 / 487.7	504 / 313	18 / 14	6610@120 / 3000@830	6005@120 / 2725@830	75 / 120
11R24.5 metric	G	238-566	126 / 57	8.25	43.1 / 1094.7	11.5 / 292.1	12.3 / 312.4	20.2 / 513.1	480 / 298	18 / 14	6610@105 / 3000@720	6005@105 / 2725@720	75 / 120
11R24.5 metric	H	238-583	127 / 58	8.25	43.1 / 1094.7	11.5 / 292.1	12.3 / 312.4	20.2 / 513.1	480 / 298	18 / 14	7160@120 / 3250@830	6610@120 / 3000@830	75 / 120

*Estimated, subject to change.

Warranty and additional technical information is available at FirestoneTruckTires.com, or from your dealer or truck stop.

Driven by innovation for more than 100 years, Firestone has a tire that's right for you and your business. See why we like to say that those with passion, those with ambition and those with drive ... Drive a Firestone.



*Based on rolling resistance and field mileage tests, Firestone tires that bear the eco-Products symbol are our most fuel-efficient and lowest total cost of ownership tire solution when compared to other Firestone tires. Actual results may vary.

