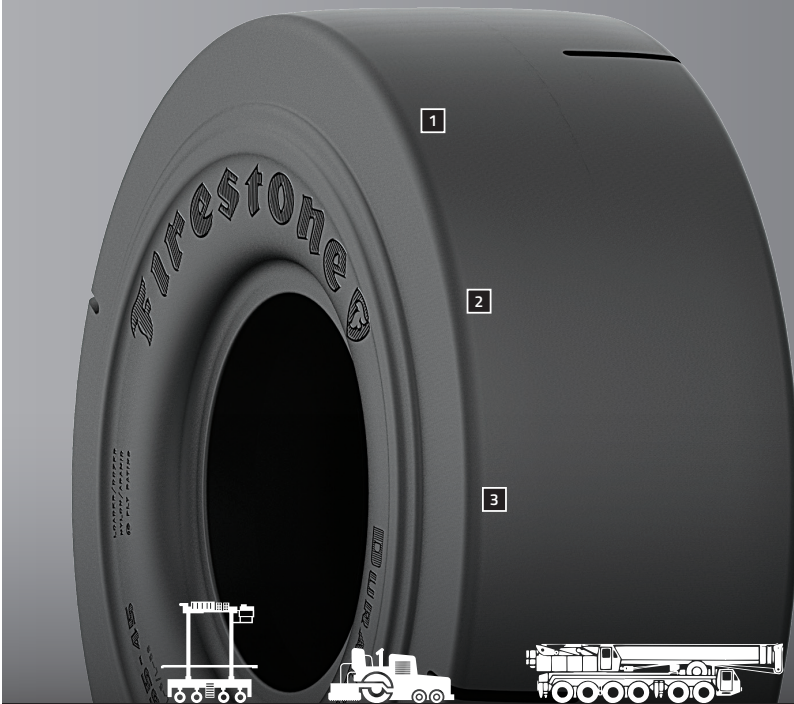


Firestone
PTLD

PLAIN TREAD
LOADER DOZER

L-5S, IND



The Plain Tread Loader Dozer bias tire offers maximum cut protection for extreme service loader/dozer applications including transporting and loading applications on improved surfaces on docks and in rail yards.

STRADDLE CARRIERS | PAVERS | LOADERS | WATER TRUCK | CRANE

SPECIALIZED FEATURES

- 1 SUPER HEAVY DUTY PLAIN TREAD DESIGN**
For extreme service applications
- 2 EXTRA TOUGH PLAIN TREAD DESIGN**
250% deeper than our Super Rock Grip
- 3 CUT RESISTANT TREAD**
Excellent for transporting / loading applications



BRIDGESTONE COMMERCIAL

See your Bridgestone representative for more information.

BS111 - V20 ©Bridgestone Americas Tire Operations LLC. All Rights Reserved.

BRIDGESTONE

Firestone

Firestone PTLD

PLAIN TREAD
LOADER DOZER

L-5S, IND

CATEGORY	SIZE	PLY/STAR RATING	COMPOUND/ CONSTRUCTION	TRA	ARTICLE #	AVG. WT. [□] [LBS]	OTD [□] [32"]	OVERALL DIAMETER [□] [IN]	OVERALL WIDTH [□] [IN]
SMALL TUBELESS	26.5-25	26	STC	L-5S	417335	1,665	108	71.1	27.0
	29.5-25	34	STC	L-5S	417408	1,861	120	75.6	29.5
LARGE TUBELESS	33.25-35	50	IDU	IND	3565	2,565	53	89.6	34.1
	65/35-33	36	STC NY	L-5S	417602	2,718	120	82.8	33.8
	65/35-33	42	STC NS	L-5S	427917	2,956	120	82.8	33.8
	45/65-39	46	STC NS	L-5S	423173	5,361	147	103.5	38.6
	65/45-45	58	-	L-5S	427934	6,205	150	-	-

[□] Actual specifications may vary depending on the tire produced. Off-road tire limited warranty information is available from your Bridgestone representative or dealer.

BRIDGESTONE COMMERCIAL

See your Bridgestone representative for more information.

BS111 - V20 ©Bridgestone Americas Tire Operations LLC. All Rights Reserved.

BRIDGESTONE

Firestone