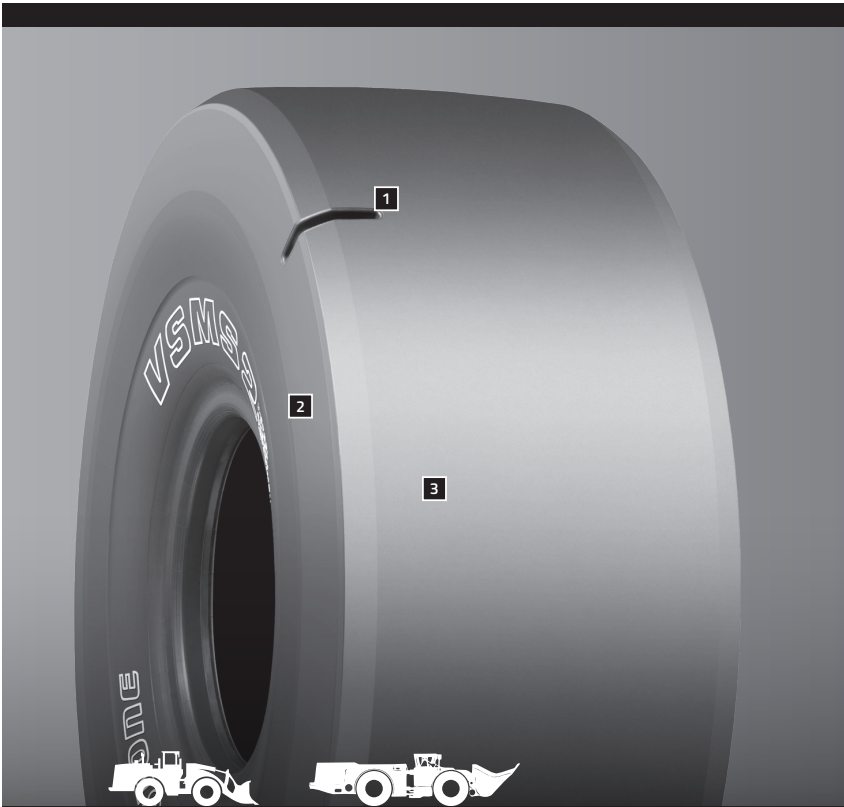


BRIDGESTONE

VSMS2

V-STEEL
SMOOTH TREAD
MINE SERVICE 2

L-5S



The Steel Smooth Tread Mine Service 2 radial tire is ideal for severe operating environments requiring maximum cut resistance and long tread wear contributing to lower operating costs.

LOADERS

SHUTTLE CARS

DRILLS

SPECIALIZED FEATURES

1 TREAD WEAR INDICATOR

Shows depth of wear on tire

2 INNOVATIVE SIDEWALL SHAPE

Delivers a 30% decrease++ in the frequency of sidewall cuts reaching the ply, which increases the total life by 5%*

*Performance improvements are comparisons with Bridgestone VSMS tire.

3 86-132/32NDS DEEP TREAD

For long wear and protection in severe operating environments



BRIDGESTONE COMMERCIAL

See your Bridgestone representative for more information.

BS111 - V20 ©Bridgestone Americas Tire Operations LLC. All Rights Reserved.

BRIDGESTONE

Firestone

BRIDGESTONE

VSMS2

V-STEEL
SMOOTH TREAD
MINE SERVICE 2

L-5S

CATEGORY	SIZE	PLY/STAR RATING	COMPOUND/ CONSTRUCTION	TRA	ARTICLE #	AVG. WT. [□] [LBS / KG]	OTD [□] [32" / MM]	OVERALL DIAMETER [□] [IN / MM]	OVERALL WIDTH [□] [IN / MM]
SMALL TUBELESS	17.5R25	2*	D2A	L-5S	4724	642	86	54	18
	26.5R25	2*	D2A	L-5S	4604	1,777	120	69.9	27.7
	12.00R24	3*	D2A	L-5S	6548	1,819	120	-	-
	29.5R25	2*	D2A	L-5S	6392	2,405	131	-	-
LARGE TUBELESS	29.5R29	2*	D2A	L-5S	4605	2,449	132	79.1	31.2

[□] Actual specifications may vary depending on the tire produced. Off-road tire limited warranty information is available from your Bridgestone representative or dealer.

BRIDGESTONE COMMERCIAL

See your Bridgestone representative for more information.

BS111 - V20 ©Bridgestone Americas Tire Operations LLC. All Rights Reserved.

BRIDGESTONE**Firestone**