



**RADIAL**

**FARM HARD**  
**Firestone**



— THE THINGS —  
**ON YOUR FARM**  
— CAN ONLY MOVE —  
**ONE DIRECTION:  
FORWARD**

This is the one business where you can't celebrate after a win. You've got to keep moving, and every part of your operation has to move with you. That's why you have to be picky about what it is you're moving on. It has to have the same durability, flexibility and innovation that got you this far. It has to be a Firestone radial.

Every radial tire design is engineered to live longer. To withstand greater loads. To give precise traction that keeps you grounded without compacting your soil. And because they serve a wide range of fields, Firestone radial tires are made to help you do your best work — no matter where you work.

INTRODUCING

# RADIAL TIRES



## **THE LEADER IN EVERY FIELD. INCLUDING YOURS.**

Whatever job you need to get done, there's a Firestone radial tire made for the task. And each is designed to deliver a smoother ride, maintain a cleaner tread, and get the best possible performance out of your equipment.

From the inside out, every part of a Firestone radial represents the latest step in tire engineering. That includes Advanced Deflection Design, or AD<sub>2</sub>,™ an innovation that gives your machine more traction and more load-carrying capacity for less fuel. But it's not technological advancements we care about most — it's saving you time. It's saving you money. It's keeping your operation rolling.

# BETTER ENGINEERING

---

**LONGER FOOTPRINT** - Radial tires have a longer footprint, for better ground contact than bias tires.

**BETTER FUEL ECONOMY** - Many farmers find their fuel consumption reduced by as much as 10%.

**SAVES TIME** - Better traction allows radials to cover an acre in as much as 14% less time.

## BELTS

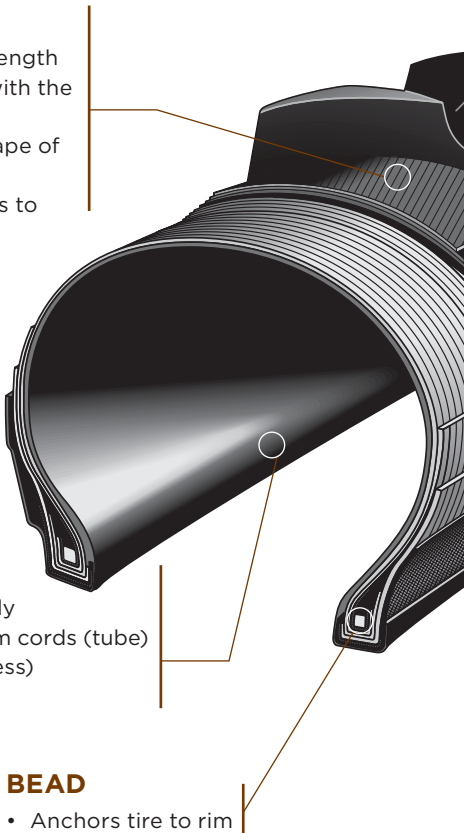
- Determine the strength of the tire along with the cord body
- Determine the shape of the footprint
- Cords run at a bias to stabilize the tread

## INNER LINER

- Protects cord body
- Insulates tube from cords (tube)
- Retains air (tubeless)

## BEAD

- Anchors tire to rim



# MEANS BETTER TIRES.

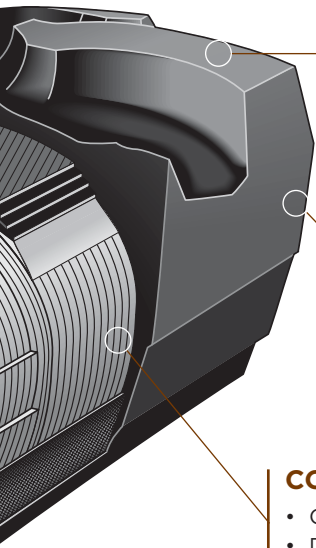
---

**LESS SLIP** - Radials slip less. As much as 14% less than bias tires.

**MORE TRACTION** - Radials produce 6% to 14% better traction.

**LESS COMPACTION** - Radials are superior for running at lower inflation pressures.

## RADIAL TIRE CONSTRUCTION



### TREAD RUBBER

- Resists wear
- Provides traction
- Protects cord body

### SIDEWALL RUBBER

- Protects cord body
- Maximizes flex life

### CORD BODY

- Cords run radially from bead to bead
- Determines the strength of the tire along with the belts
- Allows body plies to flex for optimum footprint



## TECHNOLOGY THAT CARRIES THE LOAD.

Firestone Advanced Deflection Design (AD2™) technology represents a significant advancement in performance compared to our standard radial tractor tires.

Tires with AD2 technology are engineered to carry the same load at a lower pressure — or as much as 20% (IF) to 40% (VF) more load at the same pressure. It means more traction, less time in the field, greater fuel savings, more load-carrying capacity and less compaction.\*

It's the first American-made tire to achieve the IF designation.

\* Compared to equivalent-sized standard radial tires.





## RADIAL DEEP TREAD 23° - R-1W

Tubeless				New Tire Dimensions (in.)			Max. Load & Infl. (lbs. @ psi)
Tire Size	Load Index	Speed Symbol Rating	Design Rim Width	Overall Width	Overall Dia.	Bar Height	
IF1250/50R32CFO	188	B	44.00	50.6	82.5	2.31	22000 @ 23
IF1250/50R32CFO	201	B	44.00	50.6	82.5	2.31	32000 @ 46
IF800/70R38	179	B	27.00	31.7	80.2	2.31	17100 @ 23
IF800/70R38CFO	187	B	27.00	33.0	81.1	2.31	21500 @ 41
IF520/85R42CFO	169	B	18.00	22.4	76.3	2.16	12800 @ 35
IF580/85R42CFO	178	B	20.00	23.9	80.9	2.25	16500 @ 41
VF580/85R42CFO	183	B	20.00	23.9	80.9	2.25	19300 @ 41
IF850/75R42CFO	186	B	30.00	34.2	91.7	2.44	20900 @ 23
IF480/80R46	164	B	16.00	19.5	77.5	1.97	11000 @ 35
IF520/85R46	165	B	18.00	20.9	80.8	2.16	11400 @ 23
VF480/80R46	169	B	16.00	19.5	77.5	1.56	12800@35
VF520/85R46	170	B	18.00	21.5	79.9	2.16	13200@23
IF480/80R50	166	B	15.00	19.1	80.6	1.97	11700 @ 35
VF480/80R50	171	B	16.00	19.6	80.6	1.96	13600 @ 35
IF480/95R50	165	B	15.00	19.9	85.9	2.03	11400 @ 23
VF480/95R50	170	B	16.00	20.1	85.5	2.05	13200 @ 23

## RADIAL ALL TRACTION DT - R-1W

Tubeless				New Tire Dimensions (in.)			Max. Load & Infl. (lbs. @ psi)
Tire Size	Load Index	Speed Symbol Rating	Design Rim Width	Overall Width	Overall Dia.	Bar Height	
VF620/75R26	172	B	20.00	24.5	62.1	2.06	13900 @ 35
VF750/65R26	177	B	25.00	30.3	64.0	2.09	16100 @ 35
VF600/70R28CFO	173	B	21.00	24.4	60.9	2.03	14300 @ 41
IF420/90R30	151	B	14.00	17.8	59.0	1.94	7600 @ 29
IF600/70R30	159	B	20.00	24.4	62.6	2.00	9650 @ 29
IF620/75R30	164	D	21.00	24.6	66.6	2.09	11000 @ 23
IF900/75R32CFO	178	B	30.00	36.6	84.5	2.56	16500 @ 17
IF380/85R34	149	B	13.00	15.7	59.9	1.91	7150 @ 35
IF420/85R34	152	B	14.00	16.3	62.4	1.84	7850 @ 29
IF580/80R34	172	B	20.00	23.5	70.0	2.28	13900 @ 41
VF620/75R26CFO	172	B	20.00	24.5	62.1	2.09	13900@35
VF420/85R34	157	B	14.00	17.1	62.0	1.84	9100@23
VF380/80R38	154	B	12.00	15.2	62.2	1.78	8250@35
VF420/85R38	159	B	14.00	17.2	66.0	1.83	9650@29
IF380/85R34	149	B	13.00	15.7	59.9	1.91	7150 @ 35
IF380/80R38	149	B	12.00	15.3	62.8	1.78	6950 @ 35
VF380/95R38	154	B	13.00	15.1	66.4	1.75	8250 @ 23
IF420/85R38	153	B	14.00	16.7	66.1	1.84	8050 @ 29
IF710/70R38	178	B	25.00	29.6	76.2	2.31	16500 @ 35
IF710/70R42CFO	179	B	25.00	29.4	80.2	2.31	17100 @ 35
IF710/75R42	181	B	25.00	30.5	84.4	2.41	18200 @ 35

## RADIAL ALL TRACTION 23° - R-1

Tubeless				New-Tire Dimensions (in.)			Max. Load & Infl. (lbs. @ psi)
Tire Size	Load Index	Speed Symbol Rating	Design Rim Width	Overall Width	Overall Dia.	Bar Height	
IF900/60R32CFO	182	B	30.00	36.8	74.6	1.91	18700 @ 35
IF900/60R32CFO	188	B	30.00	37.0	75.6	1.91	22000 @ 46
IF520/85R34	168	B	18.00	21.3	69.0	1.63	12300 @ 41
IF520/85R42CFO	169	B	18.00	22.0	76.5	1.63	12800 @ 35
IF420/80R46	167	B	13.00	15.8	72.3	1.53	12000 @ 58

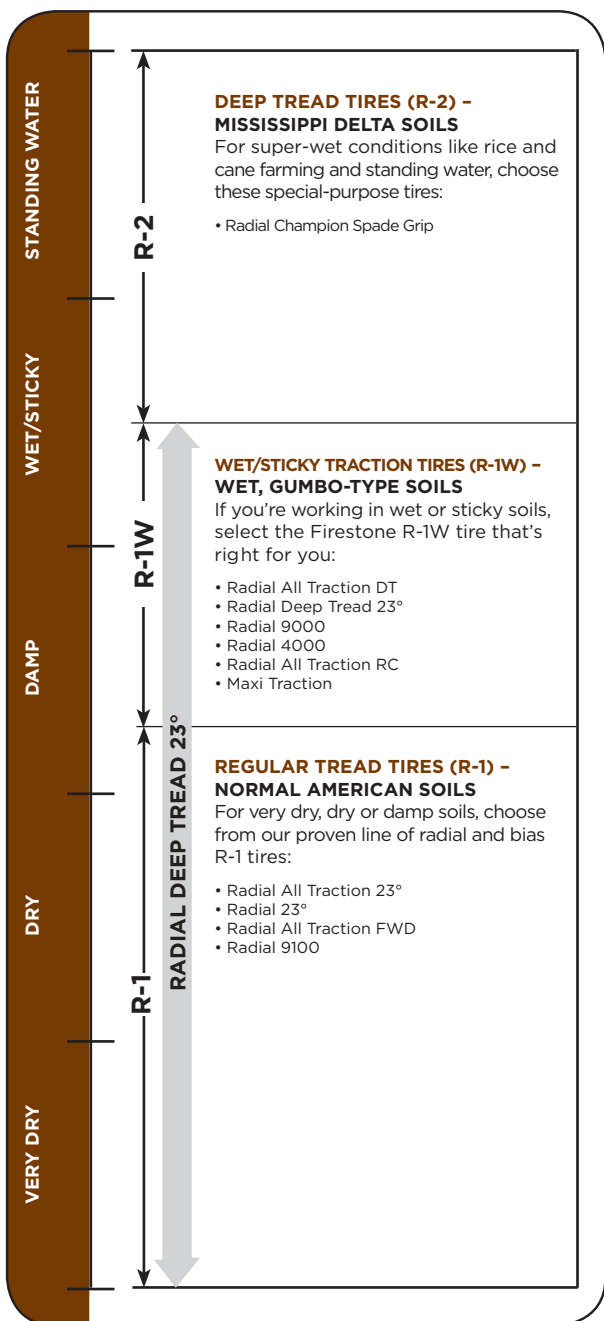
## RADIAL CHAMPION SPADE GRIP - R-2

Tubeless				New-Tire Dimensions (in.)			Max. Load & Infl. (lbs. @ psi)
Tire Size	Load Index	Speed Symbol Rating	Design Rim Width	Overall Width	Overall Dia.	Bar Height	
IF520/85R42CFO	169	B	18.00	22.5	77.4	3.27	12800 @ 35

## RADIAL ALL NON-SKID (ANS) - R-3

Tubeless				New-Tire Dimensions (in.)			Max. Load & Infl. (lbs. @ psi)
Tire Size	Load Index	Speed Symbol Rating	Design Rim Width	Overall Width	Overall Dia.	Bar Height	
IF800/60R32CFO	181	B	27.00	33.1	69.6	1.16	18200 @ 46
IF900/65R32CFO	191	B	31.00	36.8	77.0	1.22	24000 @ 46

## FIRESTONE TIRES ARE DESIGNED TO PERFORM IN ANY SOIL TYPE.





# DISCOVER

— THE —

# FIRESTONE 23°

# ADVANTAGE

Entire 23° tread bar achieves ground contact for more traction.

The Firestone 23° bar design captures more torque from today's higher-horsepower tractors.



## 23° TREAD DESIGN

More tread bars in footprint. More traction.



## 45° TREAD DESIGN

Fewer tread bars in footprint. Less bite.

## COMPARE THESE TIRE FOOTPRINTS.

The Firestone 23° tire footprint features more working tread bars than the 45° tread for more pull. More working bars also deliver a smooth ride and extend tire life.



### **RADIAL DEEP TREAD 23° - R-1W**

---

## **A DEEPER BITE. A LONGER LIFE.**

Farmers know the benefits of the exclusive Firestone 23° bar angle that lets the entire tread bar achieve maximum soil penetration and traction while delivering optimum fuel economy. And the 23° tread design inherently reduces slippage. Look to the Firestone brand to increase your degree of success.

- Proven 23° bar angle delivers ultimate traction in North American soil types
- Designed with R-1W tread depth that's approximately 25% deeper in the center compared with the standard R-1 tread, offering traction in a variety of soil conditions
- Designed for high-horsepower tractors and built to last with reinforced lug design

Tubeless				New-Tire Dimensions (in.)			
Tire Size	Load Index	Speed Symbol Rating	Design Rim Width	Overall Width	Overall Dia.	Bar Height	Max. Load & Infl. (lbs. @ psi)
IF1250/50R32CFO	188	B	44.00	50.6	82.5	2.31	22000 @ 23
IF1250/50R32CFO	201	B	44.00	50.6	82.5	2.31	32000 @ 46
520/85R38 20.8R38	155	B	16.00	21.0	72.7	2.16	8550 @ 23
650/85R38	173	B	23.00	27.6	79.9	2.19	14300 @ 35
650/85R38	173	D	23.00	27.6	79.9	2.19	14300 @ 35
480/80R42 18.4R42	151	B	16.00	19.2	73.2	1.97	7600 @ 23
480/80R42 18.4R42	154	B	16.00	19.2	73.2	1.97	8250 @ 29
520/85R42	165	B	18.00	21.8	76.30	2.16	11400 @ 41
VF520/85R42CFO	177	B	18.00	20.9	76.1	2.15	7300 @ 35
580/85R42	166	B	18.00	22.7	80.9	2.22	11700 @ 29
IF580/85R42CFO	178	B	20.00	23.9	80.9	2.25	16500 @ 41
VF580/85R42CFO	183	B	20.00	23.9	80.9	2.25	19300 @ 41
IF850/75R42CFO	186	B	30.00	34.2	91.7	2.44	20900 @ 23
480/80R46 18.4R46	158	B	16.00	18.9	76.8	1.95	9350 @ 35
VF480/80R46	169	B	16.00	19.5	77.5	1.56	12800 @ 35
520/85R46	158	B	16.00	20.9	80.8	2.00	9350 @ 23
VF520/85R46	170	B	18.00	21.5	79.9	2.16	13200 @ 23
480/80R50	159	B	15.00	19.0	80.8	1.97	9650 @ 35
IF480/80R50	166	B	15.00	19.1	80.6	1.97	11700 @ 35
VF480/80R50	171	B	16.00	19.6	80.6	1.96	13600 @ 35
IF480/95R50	165	B	15.00	18.3	85.8	2.28	11400 @ 23
VF480/95R50	170	B	15.00	20.1	85.8	2.28	13200 @ 23



**RADIAL ALL TRACTION DT - R-1W**

**FOR BROAD-LAND AND ROW-CROP WORK, THERE IS NO EQUAL.**

- Up to 54-inch rim diameter – allows for high row-crop clearance
- Wide metric sizes available for minimal soil compaction
- Traction in a variety of soil conditions
- Bead-and-rim protector keeps out debris and reduces downtime

Tubeless				New-Tire Dimensions (in.)			
Tire Size	Load Index	Speed Symbol Rating	Design Rim Width	Overall Width	Overall Dia.	Bar Height	Max. Load & Infl. (lbs. @ psi)
VF620/75R26CFO	172	B	20.00	24.5	62.1	2.09	13900 @ 35
750/65R26	169	B	25.00	30.1	64.1	2.09	12800 @ 41
VF750/65R26	177	B	25.00	30.3	64.0	2.09	16100 @ 35



Tubeless				New-Tire Dimensions (in.)			Max. Load & Infl. (lbs. @ psi)
Tire Size	Load Index	Speed Symbol Rating	Design Rim Width	Overall Width	Overall Dia.	Bar Height	
600/65R28	154	B	18.00	23.0	58.7	2.03	8250 @ 35
600/70R28	164	B	18.00	23.8	60.7	2.03	11000 @ 46
VF600/70R28CFO	173	B	21.00	24.4	60.9	2.03	14300 @ 41
380/85R30 14.9R30	135	B	13.00	15.5	55.8	1.91	4800 @ 23
IF420/90R30	151	B	14.00	17.8	59.0	1.94	7600 @ 29
600/70R30	152	B	20.00	24.0	62.8	2.03	7850 @ 23
600/70R30	162	B	20.00	24.0	62.9	2.03	10500 @ 41
IF600/70R30	159	B	20.00	24.2	62.11	2.00	9650 @ 29
650/75R32	172	B	21.00	25.6	70.5	2.19	13900 @ 46
650/75R32	172	D	21.00	26.0	70.2	2.19	13900 @ 46
800/65R32	172	D	25.00	32.6	72.1	2.31	13900 @ 35
IF900/75R32CFO	178	B	30.00	36.6	84.5	2.56	16500 @ 17
380/85R34 14.9R34	137	B	13.00	15.5	59.8	1.91	5080 @ 23
IF380/85R34	149	B	13.00	15.7	59.9	1.91	7150 @ 35
420/85R34	147	B	13.00	16.5	62.6	1.84	6800 @ 35
IF420/85R34	152	B	14.00	16.3	62.4	1.84	7850 @ 29
VF420/85R34	157	B	14.00	17.1	62.0	1.84	9100 @ 23
IF580/80R34	172	B	20.00	23.5	70.0	2.28	13900 @ 41
380/80R38	142	B	12.00	15.3	62.8	1.78	5840 @ 35
IF380/80R38	149	B	12.00	15.3	62.8	1.78	6950 @ 35
VF380/80R38	154	B	12.00	15.2	62.2	1.78	8250 @ 35
VF380/95R38	154	B	13.00	15.1	66.4	1.75	8250 @ 23
IF420/85R38	153	B	14.00	16.7	66.1	1.84	8050 @ 29
VF420/85R38	159	B	14.00	17.2	66	1.83	9650 @ 29
710/70R38	166	B	23.00	28.3	77.0	2.31	11700 @ 23
IF710/70R38	178	B	25.00	29.6	76.2	2.31	16500 @ 35
620/70R42	160	B	20.00	24.6	76.2	2.06	9900 @ 23
620/70R42	166	B	20.00	24.6	76.2	2.06	11700 @ 35
IF710/75R42	181	B	25.00	30.5	84.4	2.41	18200 @ 35
320/90R54 12.4R54	149	B	10.00	12.4	76.7	1.75	7150 @ 46



**RADIAL 9000 - R-1W**

## TRACTION IS THE NAME OF THE GAME.

- A vibration-resistant lug design contributes to a smooth ride and improved wear
- Designed with R-1W tread depth that's approximately 25% deeper in the center compared with standard R-1 tread, offering traction in a variety of soil conditions

Tubeless				New-Tire Dimensions (in.)			Max. Load & Infl. (lbs. @ psi)
Tire Size	Load Index	Speed Symbol Rating	Design Rim Width	Overall Width	Overall Dia.	Bar Height	
480/65R24	140	B	15.00	18.7	49.6	1.59	5520 @ 35
540/65R30	150	B	16.00	20.4	58.7	1.69	7400 @ 35
320/85R34	133	B	10.00	12.4	55.4	1.59	4540 @ 35
480/70R34	155	B	15.00	18.8	62.2	1.88	8550 @ 46
320/85R38	143	B	10.00	12.5	59.7	1.59	6000 @ 52
600/65R38	165	B	18.00	23.3	70.2	1.14	11400 @ 46
650/65R38	166	D	20.00	25.9	72.8	1.97	11700 @ 41
320/90R42	139	B	10.00	12.4	65.2	1.63	5360 @ 35
900/50R42	168	B	28.00	34.4	77.0	2.44	12300 @ 23
320/90R46	148	B	10.00	12.4	69.1	1.69	6950 @ 52
380/90R46	152	B	12.00	15.1	72.9	1.78	7850 @ 41
380/90R46	159	B	13.00	15.5	72.8	1.78	9650 @ 58
230/95R48	134	B	7.00	9.0	65.2	1.53	4680 @ 52
320/90R50	148	B	10.00	12.4	73.1	1.69	6950 @ 46
380/90R50	151	B	12.00	14.9	76.8	1.78	7600 @ 35
380/90R54	152	B	12.00	15.0	80.8	1.78	7850 @ 35



## **RADIAL ALL TRACTION 23° - R-1**

---

### **OUR MOST POPULAR RADIAL.**

- Proven Firestone 23° bar angle provides ultimate traction in North American soils
- Open-center tread cleans better, allowing superior traction
- Dual rubber compounds for extended wear
- More lugs for less vibration and a smooth ride

Tubeless				New-Tire Dimensions (in.)			
Tire Size	Load Index	Speed Symbol Rating	Design Rim Width	Overall Width	Overall Dia.	Bar Height	Max. Load & Infl. (lbs. @ psi)
23.1R26	166	B	20.00	24.0	63.3	1.66	11700 @ 46
24.5R32	154	B	21.00	24.5	71.0	1.66	8250 @ 18
30.5LR32	170	B	27.00	30.5	71.6	1.72	13200 @ 30
900/60R32	176	B	27.00	34.3	75.4	1.91	15700 @ 35
480/80R38 18.4R38	149	B	16.00	18.8	69.1	1.56	7150 @ 23
520/85R38 20.8R38	155	B	18.00	21.2	72.2	1.63	8550 @ 23
480/80R42 18.4R42	151	B	16.00	18.8	73.0	1.56	7600 @ 23
480/80R42 18.4R42	154	B	16.00	18.8	73.0	1.56	8250 @ 29
520/85R42 20.8R42	157	B	18.00	21.2	76.2	1.63	9100 @ 23
14.9R46	145	B	13.00	15.0	71.8	1.47	6400 @ 36
420/80R46	151	B	13.00	16.3	73.2	1.53	7600 @ 35
IF420/80R46	167	B	13.00	15.8	72.3	1.53	12000 @ 58
480/80R46 18.4R46	158	B	16.00	18.7	77.1	1.56	9350 @ 35

'L' in tire size designates low-profile tire.



**RADIAL ALL TRACTION FWD - R-1**

## THE FIRST AMERICAN RADIAL EXCLUSIVELY FOR MFWD TRACTORS.

- Multi-angle bar design features:
  - Lower angle at shoulder for better traction and more drawbar pull
  - Higher angle at nose for longer wear during transport
- Exclusive tread design offers smooth ride, smooth pull and less vibration
- Preferred tire for original equipment manufacturers

Tubeless				New-Tire Dimensions (in.)			
Tire Size	Load Index	Speed Symbol Rating	Design Rim Width	Overall Width	Overall Dia.	Bar Height	Max. Load & Infl. (lbs. @ psi)
16.9R24	134	B	15.00	17.3	52.5	1.53	4680 @ 24
380/85R26	132	B	12.00	15.2	51.8	1.48	4400 @ 23
18.4R26	140	B	16.00	18.8	57.1	1.56	5520 @ 24
340/85R28 13.6R28	127	B	12.00	13.9	51.6	1.44	3860 @ 23
380/85R28 14.9R28	133	B	13.00	15.3	53.8	1.47	4540 @ 23
420/85R28 16.9R28	139	B	15.00	17.3	56.5	1.53	5360 @ 23
380/85R30 14.9R30	135	B	13.00	15.3	55.8	1.47	4800 @ 23
420/90R30 16.9R30	142	B	15.00	17.3	58.5	1.53	5840 @ 23
380/85R34 14.9R34	137	B	13.00	15.4	59.8	1.47	5080 @ 23
380/85R34 14.9R34	145	B	13.00	15.4	59.8	1.47	6400 @ 41



**RADIAL CHAMPION SPADE GRIP - R-2**



## THIS TIRE GETS TOUGH WHEN THE GOING GETS MUDDY.

- 45° extra-deep tread for extra traction in wet-to-muddy soil
- Curved tread bars keep tread clean
- Tread and sidewall rubber compounds help resist weather cracking and ozone degradation
- R-2 deep-bar design is a proven performer

Tubeless				New-Tire Dimensions (in.)			
Tire Size	Load Index	Speed Symbol Rating	Design Rim Width	Overall Width	Overall Dia.	Bar Height	Max. Load & Infl. (lbs. @ psi)
16.9R28	136	A8	15.00	17.1	58.2	2.94	4940 @ 24
900/65R32	178	A8	30.00	35.7	80.3	123	16500 @ 35
480/70R34	146	A8	15.00	18.5	62.0	3.03	6600 @ 29
20.8R38	153	A8	18.00	21.0	73.2	3.28	8050 @ 24
IF380/80R38	149	B	12.00	14.8	63.1	2.90	7150 @ 35
520/85R42 20.8R42	157	B	18.00	20.8	78.3	3.28	9100 @ 23
IF520/85R42 CFO	169	B	18.00	22.5	77.4	105	12800 @ 35
320/90R46 12.4R46	148	B	10.00	12.4	69.2	2.56	6950 @ 52
520/85R46	158	A8	16.00	20.3	82.9	3.31	9350 @ 23
480/80R50	159	B	15.00	18.5	81.2	3.15	9650 @ 35



**RADIAL 23° - R-1**

**A VALUE-PRICED RADIAL WITH PREMIUM FEATURES.**

- High-angle stabilizer belts allow for maximum traction
- Proven 23° bar angle for optimum traction and wear
- Open-center tread cleans better, allowing better traction
- Large footprint for optimum traction, reduced compaction, smooth ride and even wear

Tubeless				New-Tire Dimensions (in.)			Max. Load & Infl. (lbs. @ psi)
Tire Size	Load Index	Speed Symbol Rating	Design Rim Width	Overall Width	Overall Dia.	Bar Height	
20.8R38	153	B	18.00	21.2	72.2	1.56	8050 @ 24
20.8R42	155	B	18.00	21.2	76.2	1.56	8550 @ 24



**RADIAL 4000 - R-1W**

**DESIGNED FOR VINEYARD AND ORCHARD SERVICE.**

- Reinforced sidewall and bead construction provide excellent lateral stability
- Optimized lug design and new tread compound technology offer uniform tread wear
- Flat tread contour provides larger footprint for less soil compaction and rutting

Tubeless				New-Tire Dimensions (in.)			Max. Load & Infl. (lbs. @ psi)
Tire Size	Load Index	Speed Symbol Rating	Design Rim Width	Overall Width	Overall Dia.	Bar Height	
280/70R18	114	B	9.00	10.8	33.7	1.19	2600 @ 35
360/70R20	129	A8	11.00	14.1	41.85	1.50	4080 @ 35



**RADIAL 9100 - R-1**

**DESIGNED FOR SPRAYER APPLICATIONS.**

- Designed specifically for high-load sprayer applications
- Tread bar wider than regular R-1 tires for better wear and resistance to irregular wear
- R-1 tread depth for optimum traction performance in most conditions

Tubeless				New-Tire Dimensions (in.)			Max. Load & Infl. (lbs. @ psi)
Tire Size	Load Index	Speed Symbol Rating	Design Rim Width	Overall Width	Overall Dia.	Bar Height	
380/105R50	168	B	12.00	16.4	80.8	1.53	12300 @ 64



### RADIAL ALL TRACTION RC - R-1W

## EASIER ON YOUR SOIL. AND YOUR FUEL.

- Designed specifically for high-clearance and high-volume sprayers
- Offers a curved bar design to contribute to a smoother ride
- IF- and VF-designated tires feature AD<sup>2</sup>™ technology, which helps farmers carry heavier loads at the same pressure as standard tires, or the same loads at reduced inflation pressure. This leads to reduced fuel use and reduced soil compaction

Tubeless				New-Tire Dimensions (in.)			Max. Load & Infl. (lbs. @ psi)
Tire Size	Load Index	Speed Symbol Rating	Design Rim Width	Overall Width	Overall Dia.	Bar Height	
IF380/90R46	168	D	13.00	15.00	72.7	1.84	12300 @ 64
VF380/90R46	173	D	13.00	15.00	72.7	1.84	14300 @ 64
IF380/105R50	177	D	13.00	15.9	80.7	1.84	16100 @ 70
VF380/105R50	179	D	13.00	16.2	80.7	1.84	17100 @ 64

## RADIAL TIRES

### LISTED BY RIM DIAMETER

Tire Size	Load Index	Description	Material Number	Page
280/70R18	114B	Radial 4000 R-1W	365-027	27
14.9R24	131B	Radial All Traction DT R-1W	362-715	16
16.9R24	134B	Radial All Traction FWD R-1	340-405	23
380/85R24	131B	Radial All Traction DT R-1W	362-715	16
480/65R24	140B	Radial 9000 R-1W	365-673	19
18.4R26	140B	Radial All Traction FWD R-1	340-421	23
23.1R26	166B	Radial All Traction 23° R-1	379-375	21
380/85R26	132B	Radial All Traction FWD R-1	008-852	23
VF620/75R26 CFO	172	Radial All Traction DT	008-684	9
750/65R26	169B	Radial All Traction DT R-1W	000-906	16
VF750/65R26	177B	Radial All Traction DT R-1W	000-556	16
13.6R28	127B	Radial All Traction FWD R-1	362-545	23
14.9R28	133B	Radial All Traction FWD R-1	362-562	23
16.9R28	136A8	Radial Champion Spade Grip R-2	352-527	25
16.9R28	139B	Radial All Traction FWD R-1	362-579	23
340/85R28	127B	Radial All Traction FWD R-1	362-545	23
380/85R28	133B	Radial All Traction FWD R-1	362-562	23
420/85R28	139B	Radial All Traction FWD R-1	362-579	23
600/65R28	154B	Radial All Traction DT R-1W	371-266	17
600/70R28	164B	Radial All Traction DT R-1W	000-907	17
VF600/70R28 CFO	173B	Radial All Traction DT R-1W	004-927	9
14.9R30	135B	Radial All Traction FWD R-1	362-596	23
14.9R30	135B	Radial All Traction DT R-1W	364-551	17
16.9R30	142B	Radial All Traction FWD R-1	362-613	23
16.9R30	145B	Radial All Traction DT R-1W	364-602	17
380/85R30	135B	Radial All Traction FWD R-1	362-596	23
380/85R30	135B	Radial All Traction DT R-1W	364-551	17
420/90R30	142B	Radial All Traction FWD R-1	362-613	23
IF420/90R30	151B	Radial All Traction DT R-1W	004-450	17
540/65R30	150B	Radial 9000 R-1W	363-055	19
600/70R30	152B	Radial All Traction DT R-1W	360-163	17
600/70R30	162B	Radial All Traction DT R-1W	362-307	17
IF600/70R30	159B	Radial All Traction DT R-1W	375-703	9
24.5R32	154B	Radial All Traction 23° R-1	352-926	21
30.5LR32	170B	Radial All Traction 23° R-1	356-204	21
650/75R32	172B	Radial All Traction DT R-1W	361-925	17
650/75R32	172D	Radial All Traction DT R-1W	382-486	17
800/65R32	172D	Radial All Traction DT R-1W	382-469	17

## RADIAL TIRES

### LISTED BY RIM DIAMETER

Tire Size	Load Index	Description	Material Number	Page
IF800/60R32 CFO	181B	Radial All Non-Skid R-3	000-911	10
900/60R32	176B	Radial All Traction 23° R-1	362-800	21
900/65R32	178A8	Radial Champion Spade Grip R-2	375-992	25
IF900/65R32 CFO	191B	Radial All Non-Skid R-3	000-419	10
900/75R32	184B	Radial All Traction DT R-1W	375-958	17
IF900/75R32 CFO	178B	Radial All Traction DT R-1W	004-459	17
900/65R32	178A8	Radial Champion Spade Grip R-2	375-992	25
IF1250/50R32 CFO	188B	Radial Deep Tread 23° R-1W	004-453	9
IF1250/50R32 CFO	201B	Radial Deep Tread 23° R-1W	380-446	9
14.9R34	137B	Radial All Traction FWD R-1	362-630	23
14.9R34	137B	Radial All Traction DT R-1W	364-585	17
14.9R34	145A8	Radial All Traction FWD R-1	379-290	23
320/85R34	133B	Radial 9000 R-1W	359-238	19
380/85R34	137B	Radial All Traction FWD R-1	362-630	23
380/85R34	137B	Radial All Traction DT R-1W	364-585	17
380/85R34	145A8	Radial All Traction FWD R-1	379-290	23
IF380/85R34	149B	Radial All Traction DT R-1W	004-449	9
420/85R34	147B	Radial All Traction DT R-1W	360-155	17
IF420/85R34	152B	Radial All Traction DT R-1W	374-513	9
VF420/85R34	157B	Radial All Traction DT R-1W	008-686	9
480/70R34	146A8	Radial Champion Spade Grip R-2	369-668	25
480/70R34	155B	Radial 9000 R-1W	003-779	19
IF580/80R34	172B	Radial All Traction DT R-1W	381-585	9
18.4R38	149B	Radial All Traction 23° R-1	362-341	21
18.4R38	149B	Radial Deep Tread 23° R-1W	362-749	15
20.8R38	153A8	Radial Champion Spade Grip R-2	353-167	25
20.8R38	153B	Radial 23° R-1	362-204	26
20.8R38	155B	Radial All Traction 23° R-1	362-375	21
20.8R38	155B	Radial Deep Tread 23° R-1W	362-766	15
320/85R38	143B	Radial 9000 R-1W	359-092	19
380/80R38	142B	Radial All Traction DT R-1W	360-171	17
IF380/80R38	149B	Radial All Traction DT R-1W	378-627	17
IF380/80R38	149B	Radial Champion Spade Grip R-2	006-364	25
VF380/80R38	154B	Radial All Traction DT R-1W	008-685	17
VF380/95R38	154B	Radial All Traction DT RIW	000-908	17
IF420/85R38	153B	Radial All Traction DT R-1W	378-882	15

## RADIAL TIRES

### LISTED BY RIM DIAMETER

Tire Size	Load Index	Description	Material Number	Page
VF420/85R38	159B	Radial All Traction DT R-1W	008-857	9
480/80R38	149B	Radial All Traction 23° R-1	362-341	21
520/85R38	155B	Radial All Traction 23° R-1	362-375	21
520/85R38	155B	Radial Deep Tread 23° R-1W	362-766	15
600/65R38	165B	Radial 9000 R-1W	361-933	19
650/65R38	166D	Radial 9000 R-1W	000-403	19
650/85R38	173B	Radial Deep Tread 23° R-1W	362-987	15
650/85R38	173D	Radial Deep Tread 23° R-1W	000-922	15
710/70R38	166B	Radial All Traction DT R-1W	355-542	17
IF710/70R38	178B	Radial All Traction DT R-1W	378-219	17
18.4R42	151B	Radial All Traction 23° R-1	362-324	21
18.4R42	151B	Radial Deep Tread 23° R-1W	362-409	15
18.4R42	154B	Radial All Traction 23° R-1	364-092	21
18.4R42	154B	Radial Deep Tread 23° R-1W	364-058	15
20.8R42	157B	Radial All Traction 23° R-1	362-358	21
20.8R42	157B	Radial Champion Spade Grip R-2	371-198	25
320/90R42	139B	Radial 9000 R-1W	359-106	19
480/80R42	151B	Radial All Traction 23° R-1	362-324	21
480/80R42	151B	Radial Deep Tread 23° R-1W	362-409	15
480/80R42	154B	Radial All Traction 23° R-1	364-092	21
480/80R42	154B	Radial Deep Tread 23° R-1W	364-058	15
520/85R42	157B	Radial Champion Spade Grip R-2	371-198	25
IF520/85R42 CFO	169B	Radial Champion Spade Grip R-2	003-170	25
520/85R42	157B	Radial All Traction 23° R-1	362-358	21
520/85R42	165B	Radial Deep Tread 23° R-1W	381-823	15
580/85R42	166B	Radial Deep Tread 23° R-1W	382-452	15
IF580/85R42 CFO	178B	Radial Deep Tread 23° R-1W	003-148	15
VF580/85R42 CFO	183B	Radial Deep Tread 23° R-1W	007-123	15
620/70R42	160B	Radial All Traction DT R-1W	356-271	17
620/70R42	166B	Radial All Traction DT R-1W	374-479	17
710/70R42	168B	Radial All Traction DT R-1W	003-780	17
IF850/75R42 CFO	186B	Radial Deep Tread 23° R-1W	004-469	15
IF710/75R42	181B	Radial All Traction DT R-1W	378-542	9
900/50R42	168B	Radial 9000 R-1W	359-394	19
12.4R46	148B	Radial Champion Spade Grip R-2	363-004	25
14.9R46	145B	Radial All Traction 23° R-1	343-323	21
18.4R46	158B	Radial All Traction 23° R-1	362-273	21
320/90R46	148A8	Radial Champion Spade Grip R-2	363-004	25



## RADIAL TIRES

### LISTED BY RIM DIAMETER

Tire Size	Load Index	Description	Material Number	Page
320/90R46	148B	Radial 9000 R-1W	357-774	19
380/90R46	152B	Radial 9000 R-1W	359-939	19
380/90R46	159B	Radial 9000 R-1W	007-435	19
IF380/90R46	168D	Radial All Traction RC R-1W	000-629	29
VF380/90R46	173D	Radial All Traction RC R-1W	380-412	29
420/80R46	151B	Radial All Traction 23° R-1	352-829	21
IF420/80R46	167B	Radial All Traction 23° R-1	000-558	10
480/80R46	158B	Radial All Traction 23° R-1	362-273	21
VF480/80R46	169B	Radial Deep Tread 23° R-1W	009-134	9
520/85R46	158A8	Radial Deep Tread 23° R-1W	003-781	15
520/85R46	158B	Radial Deep Tread 23° R-1W	362-851	15
VF520/85R46	170B	Radial Deep Tread 23° R-1W	008-680	9
520/85R46	158A8	Radial Champion Spade Grip R-2	369-651	25
320/90R50	148B	Radial 9000 R-1W	358-118	19
380/90R50	151B	Radial 9000 R-1W	362-050	19
380/105R50	168B	Radial 9100 R-1	362-919	28
IF380/105R50	177D	Radial All Traction RC R-1W	000-905	29
VF380/105R50	179D	Radial All Traction RC R-1W	380-429	29
480/80R50	159B	Radial Deep Tread 23° R-1W	360-090	15
480/80R50	159B	Radial Champion Spade Grip R-2	006-363	25
IF480/80R50	166B	Radial Deep Tread 23° R-1W	374-496	15
VF480/80R50	171B	Radial Deep Tread 23° R-1W	007-493	9
IF480/95R50	165B	Radial Deep Tread 23° R-1W	375-635	9
VF480/95R50	170B	Radial Deep Tread 23° R-1W	007-494	9
12.4R54	149B	Radial All Traction DT R-1W	358-339	17
320/90R54	149B	Radial All Traction DT R-1W	358-339	17
380/90R54	152B	Radial 9000 R-1W	362-069	19

For a complete list of radial tires that FSAG offers, please visit our website, [FIRESTONEAG.COM](http://FIRESTONEAG.COM), or refer to our data book.

For Destination Farm and Destination Turf tires, please refer to the **FRONTS AND IMPLEMENTS BROCHURE**.

For Performer EVO tires, please refer to the **PERFORMER EVO BROCHURE**.

## **TIRES COVERED**

This Limited Warranty covers all original-tread Firestone brand radial agricultural tires, including “Destination Farm” and “Destination Turf™” tires, but excluding “Performer EVO” tires, purchased or manufactured after June 1, 2018 (except tires made for or used in pulling contests), if they are used in normal agricultural service. It does not cover tires marked “NO ADJ” or “NA” (non-adjustable), or tires not containing the Firestone serial number. Tires branded DT (damaged tire) are not adjustable for appearance. Tires are adjustable for ride-related conditions only during the first six months of service and up to 1/32nd of an inch of tread wear.

## **WHAT IS WARRANTIED**

If, before wearing down to 2/32nds of an inch of tread or bar depth remaining, any tire covered by this Limited Warranty becomes unusable for any reason within the manufacturer’s control, such tire will be replaced with an equivalent new Firestone tire on the basis set forth in the section titled “Limited Warranty Period and Pro Rata Percentages” on the following page. Some examples of causes or conditions normally beyond the manufacturer’s control are:

1. Field or road hazards or stubble damage (e.g., cut, snag, puncture, stubble damage, impact break, tear or chunk in tread, bar or shoulder);
2. Apparent overload or improper inflation pressure or abuse;
3. Wheel misalignment, rim slip, tire/wheel assembly imbalance, mismatching of adjacent tires, or other vehicle conditions, defects or characteristics;

4. Conditions caused by land-leveling or earthmoving operations;
5. Improper repair or improper insertion of sealant, balancing or filler materials;
6. Intentional alteration of either the appearance or the physical characteristics of the tire;
7. Mounting damage or conditions caused by aging or improper storage; and
8. Failure to observe any of the "Owner-User's Obligations" items listed elsewhere in this publication.

This Limited Warranty is in addition to, and/or may be limited by, any other applicable written warranty you may have received concerning special tires or situations.

#### **LIMITED WARRANTY PERIOD AND PRO RATA PERCENTAGES**

During the first two years of service (proof-of-purchase must be attached to claim form), if the tire is worn less than 25%, the tire will be replaced without charge including normal mounting and service charges.

After the free replacement period, the replacement price will be prorated based on years of service from the original purchase date (proof-of-purchase must be attached to claim form, or if proof-of-purchase is not available or if tire was not purchased new, then based on years from date of manufacture, which is molded into the sidewall of the tire), as set forth on the following page.

## LIMITED WARRANTY

### FOR FIRESTONE BIAS PLY AGRICULTURAL TIRES

<b>Years of Service or Age During</b>	<b>If Worn Less Than</b>	<b>Pro Rata Collection</b>
3rd Year	30%	30%
4th Year	40%	40%
5th Year	50%	50%
6th Year	60%	60%
7th Year	70%	70%
8th Year	80%	80%
9th Year	90%	90%

After the end of the 9th year, coverage expires. 100%

To determine the replacement price, the appropriate pro rata percentage is multiplied by the Firestone owner-user's regular buying price. Appropriate taxes, mounting or other service charges will be added to the replacement price.

### CONDITIONS AND EXCLUSIONS

To the extent permitted by law, Bridgestone Americas Tire Operations, LLC disclaims all warranties, express or implied, other than the warranties stated in this Limited Warranty, including but not limited to the implied warranties of merchantability and fitness for a particular purpose.

TO THE EXTENT PERMITTED BY LAW, BRIDGESTONE AMERICAS TIRE OPERATIONS, LLC DISCLAIMS LIABILITY FOR ANY SPECIAL, INCIDENTAL, CONSEQUENTIAL AND PUNITIVE DAMAGES, LOSS OF TIME OR PROFITS, LOSS OF VEHICLE USE, OR INCONVENIENCE, EVEN IF ADVISED OF THE POSSIBILITY OF SUCH LOSS OR DAMAGES.

Some states do not allow the exclusion or limitation of incidental or consequential damages, so this limitation or exclusion may not apply to you.

Only the actual owner-user of the covered tires may make an adjustment claim under this Limited Warranty and Commercial Adjustment Policy, and only for tires used in the 50 United States and the District of Columbia.

Nothing in this Limited Warranty is intended to be a representation that failures cannot occur.

### **OWNER-USER'S OBLIGATIONS**

Proper tire care is necessary to obtain maximum hours of usage and wear.

The owner-user's obligations are to operate tires within tire load and speed limits (at cold-air pressures specified by Bridgestone Americas Tire Operations, LLC for load and speed according to individual tire size, type and load capacity), and to maintain proper alignment of wheels.

In case of an adjustment claim, the owner-user must present the tire to an authorized Firestone dealer or store, complete and sign the customer section of the adjustment claim form, attach to the claim form a copy of the proof-of-purchase showing the date the tire was purchased new or proof-of-purchase of the new agricultural equipment that the tire came on, and pay the appropriate replacement price, taxes and service charges for a new, current, equivalent Firestone brand tire.

The obligation of Bridgestone Americas Tire Operations, LLC under this Limited Warranty and Commercial Adjustment Policy may not be enlarged or altered by anyone.

## LIMITED WARRANTY

### FOR FIRESTONE BIAS PLY AGRICULTURAL TIRES

#### PERFORMANCE REMINDER

Overloading and incorrect air pressure are two of the greatest causes of premature tire removal. For the best performance possible, select the proper design, size and ply-rated tires for your equipment, and operate the tires at the inflation pressure required to carry the working load. Detailed load and inflation tables are included in the Data Book for Firestone Ag Tires and at [FirestoneAg.com](http://FirestoneAg.com).

#### PROPER TIRE SIZES

Tire sizes and ratings are dictated by vehicle geometry, weight and power. Before changing tire sizes, be sure to check with the equipment manufacturer or dealer. Tire measurements and load-carrying capacities for all Firestone agricultural tires are shown in the Data Book for Firestone Ag Tires and at [FirestoneAg.com](http://FirestoneAg.com). These measurements are especially important when matching front and rear sizes.

#### Have a technical question?

Contact Field Engineering: **1-800-TIRE ENG (847-3364)**

Need additional information? **FIRESTONEAG.COM**

Reference the Firestone Warranty Brochure or visit **FirestoneAg.com** for full details.



A man wearing a camouflage baseball cap and a dark blue long-sleeved shirt is leaning over a blue wheelbarrow. The wheelbarrow is filled with brown mulch. The background is a rustic, dark wooden structure, likely a barn or workshop. The lighting is dramatic, highlighting the man's profile and the texture of the mulch.

**FARM HARD**  
**Firestone**