



# FS820 *ON-/OFF-HIGHWAY SERVICE*

All-Position Radial



## LONG WEAR AND EXCELLENT TRACTION

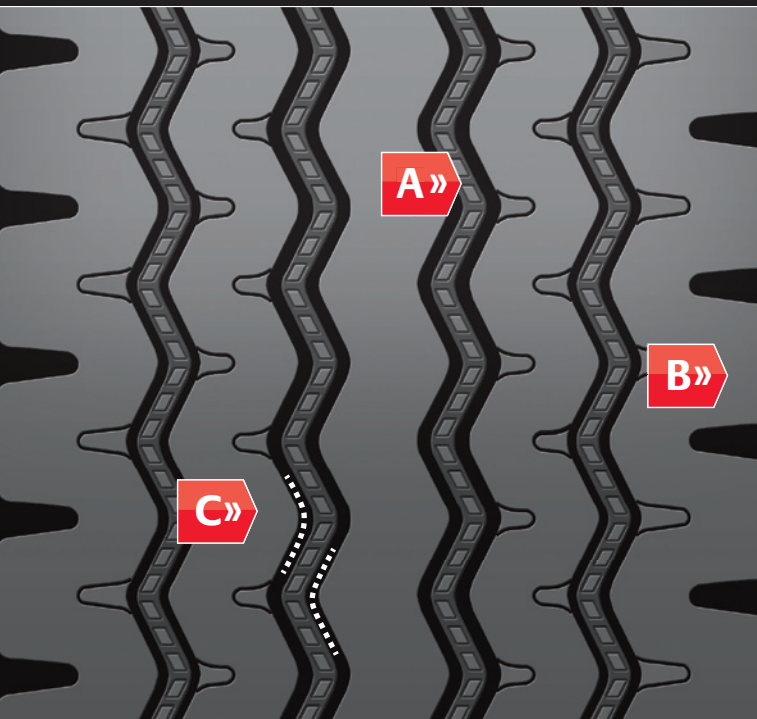
With features that offer excellent traction, increased tread wear and long casing life, the FS820 is an ideal all-position tire for fleets required to regularly travel on/off highway.

The FS820 excels in conditions where casing damage, tread cuts and tears are usual occurrences.

DRIVE A FIRESTONE

# Firestone

## FS820 INNOVATIONS



**A**

### STONE REJECTOR PLATFORMS

Help protect belts from potential damage. Stone rejector platforms featured in each major groove on 11R22.5 and 11R24.5 sizes while only on the center groove of the 315/80R22.5 size.

**B**

### CONTINUOUS SHOULDER DESIGN

Combats tread squirm for long tread life.

**C**

### MULTIPLE GRIPPING EDGES

Provide biting edges that help promote wet traction.



**EXTRA-DEEP AND EXTRA-WIDE TREAD**

Provides excellent traction, increased tread life and improved handling.

**RUGGED FIVE-RIB DESIGN**

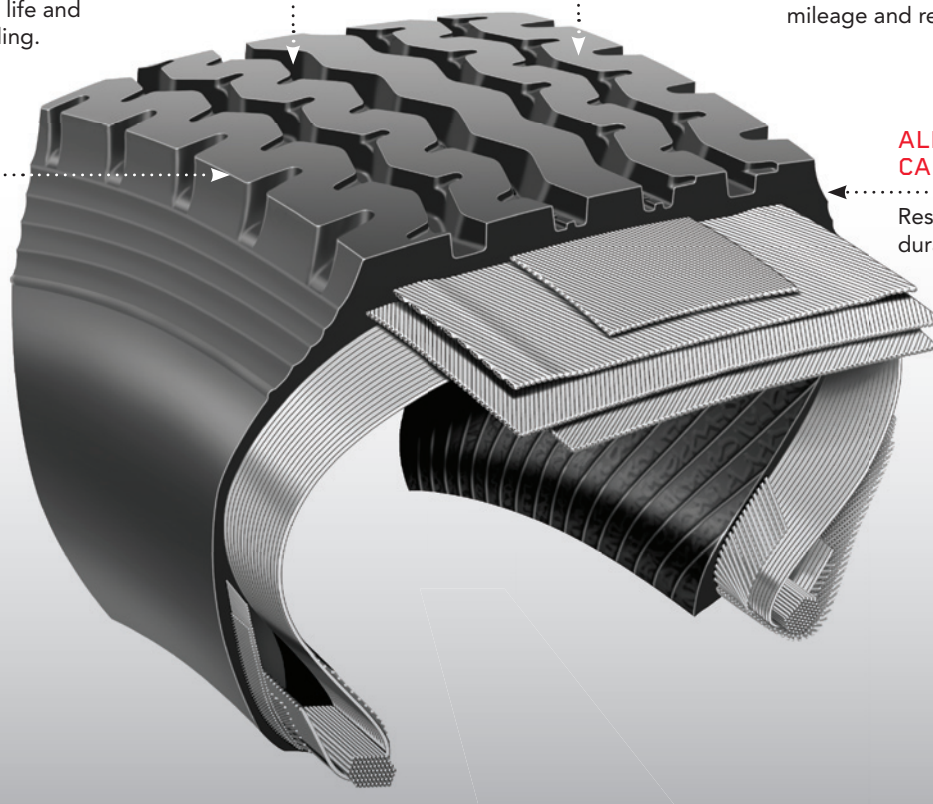
Combats stone retention for long mileage and retreadability.

**SPECIAL TREAD COMPOUNDS**

Help resist cuts, chips and tears for long original tread life.

**ALL-STEEL CASING AND CAP/BASE COMPOUNDING**

Resists cuts and improves durability and retreadability.



FS820 Tire Sizes	Load Range	Article Number	Weight (Lbs/kg)*	Meas. Rim (in.)	Overall Diameter (in./mm)	Overall Width (in./mm)	Overall Width Loaded (in./mm)	Static Loaded Radius (in./mm)	Revolutions per Mile/km	Tread Depth (32"/mm)	MAX TIRE LOAD		Max Speed (mph/kph)
											Single Lbs@PSI/kg@kPa	Dual Lbs@PSI/kg@kPa	
11R22.5 metric	H	241-252	134 61	8.25	42.0 1066.8	10.9 276.9	12.0 304.8	19.5 495.3	495 308	24 19	6610@120 3000@830	6005@120 2720@830	65 104
11R24.5 metric	H	233-840	144 65	8.25	44.0 1117.6	10.9 276.9	12.0 304.8	20.5 520.7	472 293	24 19	7160@120 3250@830	6610@120 3000@830	65 104
315/80R22.5 metric	L	233-874	148 67	9.00	42.9 1089.7	12.6 320.0	13.9 353.1	19.9 505.5	484 301	26 21	9090@130 4125@900	8270@130 3750@900	65 104

\*Estimated, subject to change.

Warranty and additional technical information is available at [FirestoneTruckTires.com](http://FirestoneTruckTires.com), or from your dealer or truck stop.

Driven by innovation for more than 100 years, Firestone has a tire that's right for you and your business. See why we like to say that those with passion, those with ambition and those with drive ... Drive a Firestone.

